

WHERE QUALITY
MEETS PERFORMANCE

CORRTEC

CORRTEC CHEMICAL AND CORROSION RESISTANT MATERIALS

Vycom's Corrttec family of chemical and corrosion resistant materials offers many polymer options including PVC (Types I and II), CPVC, HDPE, PP, and CoPP formulations including the largest olefin sheet sizes in the world at up to 130" wide. These materials are designed to meet requirements in chemical handling, air processing, industrial tanks, pharmaceuticals, waste water management, and many more industries. The Corrttec family can handle everything from highly technical applications to your most basic needs.



HITEC® HDPE

Hitec® is a highly versatile material for use in a wide variety of applications and industries. It has excellent impact strength, scratch and chemical resistance, stiffness, and minimal moisture absorption.

Top Applications:

- Food Processing
- Machined and Fabricated Parts
- Guides and Wear Plates
- Die Cutting Pads
- Medical - Orthotics and Prosthetics
- Chemical and Liquid - Tanks and Secondary Containment
- Wood and Metal Replacement
- Material Handling Systems
- Dunnage / Racking

Key Material Benefits:

- Chemical and Corrosion Resistant
- No Moisture Absorption
- Wide Variety of Uses
- Impact and Abrasion Resistance
- Easy to Fabricate, Weld, Machine or Thermoform
- Superior Versatility

Competitive Advantages (vs. other competitors' similar materials):

- Scratch Resistance
- Low Minimums on Customs
- Oversized Sheets
- Lower Stress
- NSF Compliant (Natural)
- Inventory in Colors, Thicknesses and Sheet Sizes

Compliances:

- FDA • USDA • NSF (Natural Only) • RoHS Compliant

PROTEC™ PP (HOMOPOLYMER POLYPROPYLENE)

This highly chemical and corrosion resistant material exhibits excellent tensile stiffness and low moisture absorption for use in a wide variety of applications and industries.

Top Applications:

- Chemical and Liquid - Tanks and Secondary Containment
- Laboratory and Cleanroom - Containment Cabinetry, Furniture, and Fume Hoods
- Medical - Orthotic and Prosthetic
- Air Processing - Fume Hoods and Ducting
- Food Processing - Manufacturing and Preparation Components
- Die Cutting Pads

Key Material Benefits:

- Chemical and Corrosion Resistant
- High Strength to Weight Ratio
- Greater Hardness and Stiffness vs. HDPE
- Maximum HDT 190° F
- No Moisture Absorption
- Superior Versatility
- Easy to Fabricate, Weld, Machine, Thermoform, and Vacuum Form

Competitive Advantages (vs. other competitors' similar materials):

- Resin Consistency
- Inventory in Colors, Thicknesses, and Sheet Sizes
- Oversized Sheets
- Lower Stress
- Custom Colors and Sizes with Low Minimums
- Turns Clear when Heated

Compliances:

- FDA • USDA • NSF (Natural) • RoHS Compliant

PROTEC™ CoPP (COPOLYMER POLYPROPYLENE)

Protec™ provides high levels of impact, scratch, and corrosion resistance. It's a great material for tank fabrication, orthotic and prosthetic devices, and many more applications.

Top Applications:

- Chemical and Liquid - Tanks and Secondary Containment
- Superior Performance in Impact and Shock Environments (i.e. Steel Processing and Moving Tanks)
- Orthotics and Prosthetics
- Waste Water Management
- Fire Truck Tanks / Rescue Equipment
- Food Processing - Manufacturing / Preparation Components

Key Material Benefits:

- Higher Impact Material
- Chemical and Corrosion Resistant
- Great Versatility
- Easy to Fabricate, Weld, Machine, Thermoform, and Vacuum Form
- Lower Rigidity than Homopolymer
- High Strength to Weight Ratio
- No Moisture Absorption

Competitive Advantages (vs. other competitors' similar materials):

- Lower Stress Material
- Oversized Sheets
- Inventory in Colors, Thicknesses, and Sheet Sizes
- Custom Colors and Sizes with Low Minimums

Compliances:

- FDA • USDA • NSF (Natural) • RoHS Compliant

VINTEC® I (TYPE I, GRADE 1 PVC)

Vintec® I is a normal impact, highly corrosion resistant PVC sheet. Its exceptional corrosion resistance is ideally suited for applications where maximum chemical resistance is necessary.

Top Applications:

- Chemical Processing Equipment
- Acid Baths
- Laboratory Workstations
- Plating Tanks
- Air Handling (Scrubbers, Ducts, and Fume Hoods)
- Fabricated Piping Components
- Pool Components
- Electrical Cabinets

Key Material Benefits:

- Chemical and Corrosion Resistant
- Easily Fabricated or Welded
- Strength-to-Weight Ratio
- Cost Effective

Competitive Advantages (vs. other competitors' similar materials):

- Higher Heat Distortion
- Proven Formula (30 Year History)
- Oversized Sheets
- Superior Chemical Resistance
- Does Not Contain Plasticizers

Compliances:

- ASTM-D-1784-09 • UL 94 V-0 • ASTM-E-84 • RoHS Compliant

VINTEC® II (TYPE II, GRADE 1 PVC)

Vintec® II is a high impact, corrosion resistant PVC sheet. Its excellent impact resistance and ductility are ideally suited for applications that require thermal forming or where the finished product is subject to shock or physical abuse.

Top Applications:

- Air Handling (Scrubbers, Ducts, and Fume Hoods)
- Fabricated Piping Components
- Electrical Cabinets
- Consoles
- Chemical Processing Equipment
- Transitions
- Junction Boxes

Key Material Benefits:

- High Impact - (Over 15 Times the Value of Standard PVC)
- Thermoformable and Vacuum Formable
- Rigidity
- Light Weight
- Chemical and Corrosion Resistance
- Can be Cold Rolled
- Excellent Fire Properties

Competitive Advantages (vs. other competitors' similar materials):

- Higher Heat Distortion
- Superior Stiffness
- Greater Chemical Resistance
- Oversized Sheets

Compliances:

- ASTM-D-1784-09 • UL 94 V-0 • ASTM-E-84 • RoHS Compliant

VINTEC® CLEAR

Vintec® Clear is a transparent PVC material that is highly recommended where visibility of a process or an operation is essential. Vycom's Clear PVC is impact and corrosion resistant.

Top Applications:

- Sight Windows
- Sight Ports
- Machine Guards
- Inspection Panels
- Formed Covers

Key Material Benefits:

- Chemical Resistance
- Transparency
- Stiffness
- Impact

Competitive Advantages (vs. other competitors' similar materials):

- Heat Forming without Clouding
- Good Light Transmittance
- Consistent Blue Tint
- Oversized Sheets

Compliances:

- UL 94 V-0 • ASTM-E-84 • ASTM-D-1784-09 • RoHS Compliant

CORZAN® CPVC

This is a highly heat and corrosion resistant CPVC sheet. Because of its excellent corrosion resistance at elevated temperatures, it is ideally suited for self-supporting constructions where high temperatures are a concern.

Top Applications:

- Plating Tanks
- Wastewater Treatment
- Air Handling (Scrubbers, Ducts, and Fume Hoods)
- Electrical Cabinets
- Pipe Flanges and Spacers
- Stripping Tanks

Key Material Benefits:

- Chemical Resistance
- High Heat Stability
- Integrated Systems
- Cost Effectiveness

Competitive Advantages (vs. other competitors' similar materials):

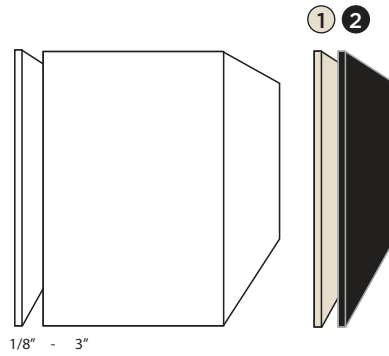
- Gauge Consistency
- Compatibility with other Corzan Components
- Extruded (up to 1") vs. Pressed or Laminated
- Product Breadth

Compliances:

- ASTM-D-1784-09 • ASTM-E-84 • UL 94 V-0 • RoHS Compliant

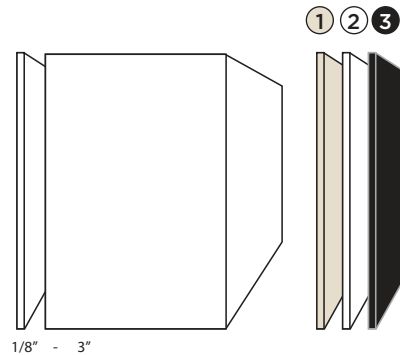
HITEC® HDPE

COLORS:	THICKNESSES:	FINISH:
① NATURAL	1/8" - 3"	SMOOTH OR MATTE
② BLACK	1/8" - 3"	
<p>Standard sheet sizes in most formulations are 4'x8', 4'x10', 5'x10'.</p> <p>Custom colors and sizes available upon request.</p>		



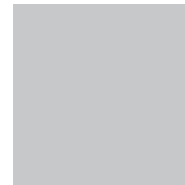
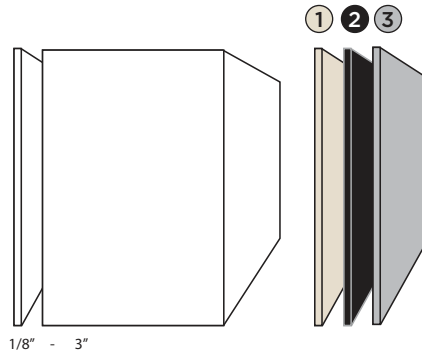
PROTEC™ PP (HOMOPOLYMER POLYPROPYLENE)

COLORS:	THICKNESSES:	FINISH:
① NATURAL	1/8" - 3"	SMOOTH
② WHITE	1/8" - 3"	
③ BLACK	1/8" - 3"	
<p>Standard sheet sizes in most formulations are 4'x8', 4'x10', 5'x10'.</p> <p>Custom colors and sizes available upon request.</p>		



PROTEC™ CoPP (COPOLYMER POLYPROPYLENE)

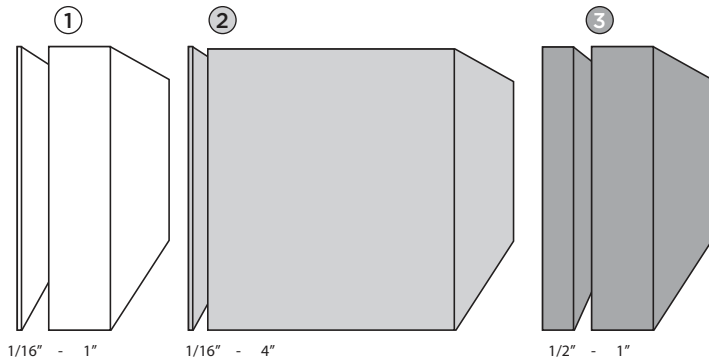
COLORS:	THICKNESSES:	FINISH:
① NATURAL	1/8" - 3"	SMOOTH
② BLACK	1/8" - 3"	
③ EURO GRAY	1/8" - 3"	
<p>Standard sheet sizes in most formulations are 4'x8', 4'x10', 5'x10'.</p> <p>Custom colors and sizes available upon request.</p>		



VINTEC® I (TYPE I, GRADE 1 PVC)

COLORS:	THICKNESSES:
① WHITE	1/16" - 1"
② GRAY	1/16" - 4"
③ EURO GRAY	1/2" - 1"

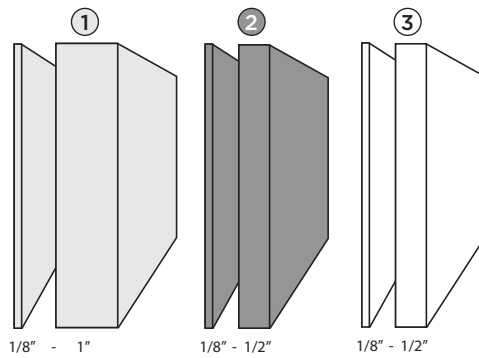
Standard sheet size in most formulations is 4'x8'.
Custom sizes available upon request.



VINTEC® II (TYPE II, GRADE 1 PVC)

COLORS:	THICKNESSES:
① LIGHT GRAY	1/8" - 1"
② DARK GRAY	1/8" - 1/2"
③ WHITE	1/8" - 1/2"

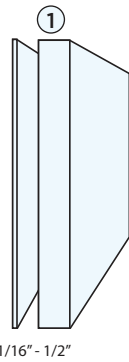
Standard sheet size in most formulations is 4'x8'.
Custom sizes available upon request.



VINTEC® CLEAR

COLORS:	THICKNESSES:
① SLIGHT BLUE TINT	1/16" - 1/2"

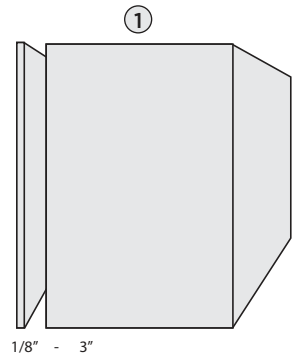
Standard sheet size in most formulations is 4'x8'.
Custom sizes available upon request.

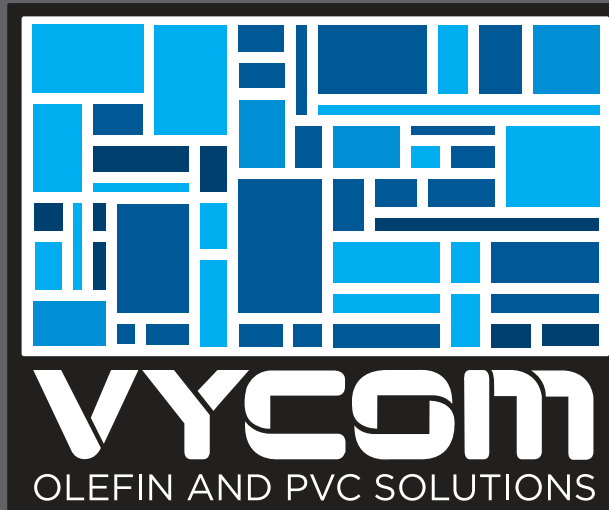


CORZAN® CPVC

COLORS:	THICKNESSES:
① LIGHT GRAY	1/8" - 3"

Standard sheet sizes in most formulations are 4'x8', 4'x10'.
Custom sizes available upon request.





For more than a quarter of a century, Vycom has led the Olefin and PVC sheet products industry with innovative materials for a wide variety of uses. We strive to be the essential partner in creating and implementing solutions in Olefin and PVC polymers that optimize quality and performance. Vycom offers the largest range of products, capabilities, and inventory for all your Olefin and PVC needs.

**WHERE QUALITY
MEETS PERFORMANCE**

801 E. Corey Street, Scranton, PA 18505
Phone: (800) 235-8320 • Fax: (800) 858-9266
www.vycomplastics.com